



Model Number:  
**SRY-RX-Y-482**

RF Components

# Optical Fibre 10MHz Reference Receive Module

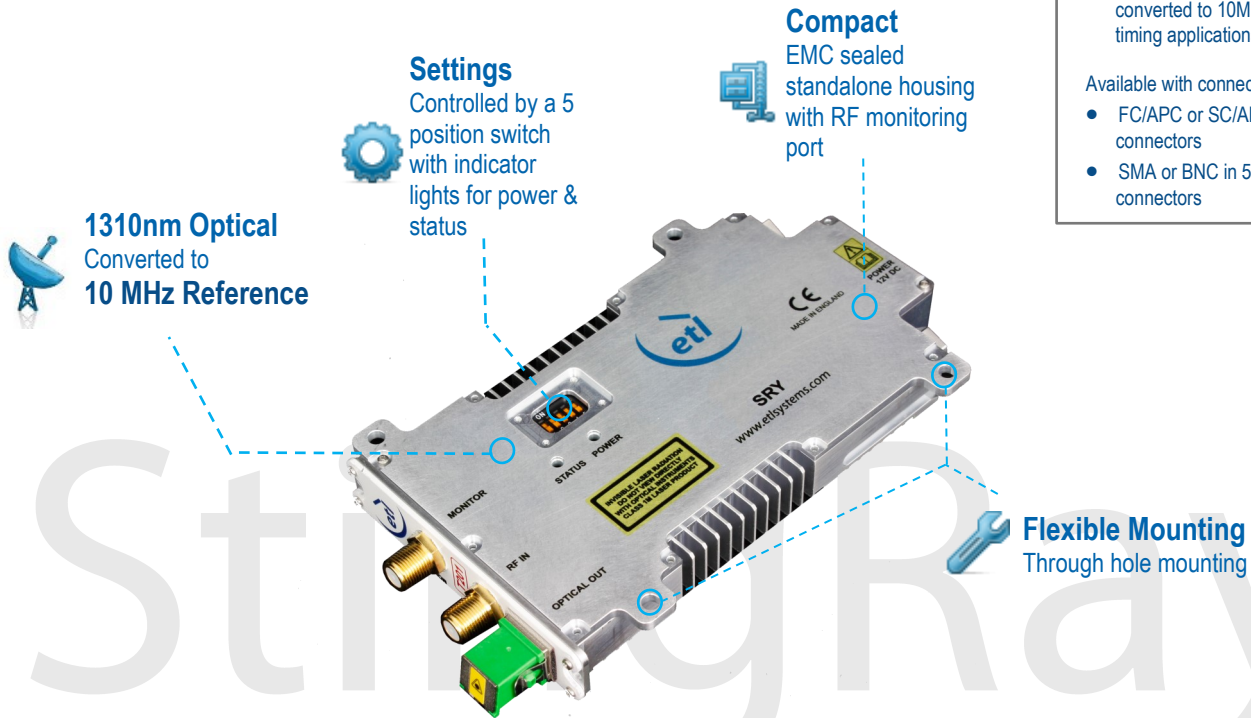
Optical Wavelength 1100 to 1650nm

Single mode optical receiver for 10MHz reference signals.

- compact EMC sealed housing featuring an RF monitor port
- 1100nm to 1650nm optical input is converted to 10MHz signal for timing applications

Available with connector options:

- FC/APC or SC/APC optical connectors
- SMA or BNC in 50 ohm RF connectors



RF PARAMETERS		
Frequency Range	10 MHz	Reference tone
Return Loss	50 ohm SMA 50 ohm BNC	18 dB typ., 12dB min 18 dB typ., 12dB min
Monitor port		-20dB ±3dB
RF Output Signal Range	0 dBm to +14 dBm (total power)	o/p range available under all i/p conditions
Phase Noise	0.1 Hz	-114 dBc/Hz typical, -98 dBc/Hz maximum
	1 Hz	-123 dBc/Hz typical, -117 dBc/Hz maximum
	10 Hz	-130 dBc/Hz typical, -124 dBc/Hz maximum
	100 Hz	-141 dBc/Hz typical, -135 dBc/Hz maximum
	1000 Hz	-153 dBc/Hz typical, -147 dBc/Hz maximum
	10000 Hz	-153 dBc/Hz typical, -147 dBc/Hz maximum
	100000 Hz	-153 dBc/Hz typical, -147 dBc/Hz maximum
1000000 Hz	-153 dBc/Hz typical, -147 dBc/Hz maximum	
Optical Parameters		
Optical Wavelength	1100 to 1650nm	Optimised for 1310nm and 1550 nm
Optical power in	0 to 7 dBm	Max 10 dBm
Optical Connectors	FC/APC SC/APC	Single mode fibre Use angle polish connectors only

## Broadcast



## Marine Oil & Gas



## SNG & VSAT



## Satellite Teleport





RF Components

Model Number:  
**SRY-RX-Y-482**

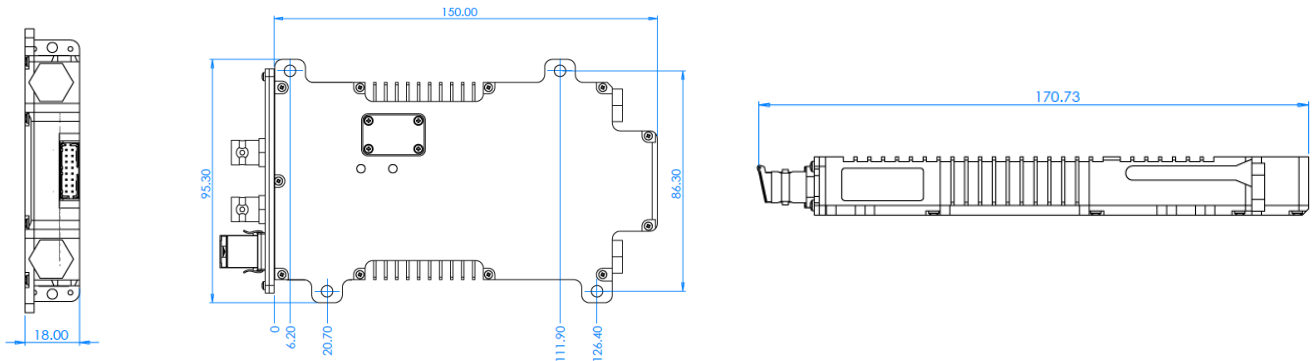
Optical Fibre 10MHz Reference Receive Module

Non RF Parameters		
Module swap	Hot swap	
Power consumption	4 W	
MTBF	>250,000 hours TBC	Module MTBF TBC
Control, Monitoring & Alarms		
Control	Local	Local control via DIP switch.
Settings	Sw1	Reserved / Unused
	Sw2	+ 8 dBm
	Sw3	+ 4 dBm
	Sw4	+ 2 dBm
	Sw5	Fixed Gain
Temperature monitors	Each module monitored,	All are independently monitored and reported.
Monitoring	Optical input power Status of amplifier stages RF output power	In each module via LED
AGC	Settable output power level	0 to +15 dBm in 2 dB steps via DIP switch

### Technical specifications and operating parameters

Environmental conditions		
Operating Temperature	-20°C to +60°C	
Storage Temperature	-40°C to +90°C	
Location	Indoor use	Outdoor use as part of ETL ODU only
Humidity	20 to 90% non-condensing	Relative Humidity
Altitude	10,000 ft AMSL operational 30,000 ft AMSL storage/transport	Above mean sea level
Mass	0.35 Kg typical	
Size	87.8 x 18 x 150 mm	

### Physical Dimensions (mm)



- Note-1: Typical parameters are guide figures and measured data may deviate from the quoted figures. ETL endeavours to exceed the quoted typical parameters where practically possible.
- Note-2: Operation beyond the quoted limits stated above may cause instantaneous and permanent damage. For reliable long term operation do not exceed the parameters given in above.
- Note-3: The spec table is subject to regular reviews and will be updated from time to time as part of our continuing product development and improved spec accuracy.
- Note-4: Any combination of RX or TX modules of series 2xx can be fitted into this chassis, SRY-C2xx series.
- Note-5: The receiver is optimized for operation at 1310 nm and 1550 nm but may be used over a wide wavelength range ranging from 850 nm to 1600 nm.

ETL SYSTEMS LIMITED  
Coldwell Radio Station  
Madley  
Hereford  
England HR2 9NE

TELEPHONE  
+44 (0)1981 259020  
  
EMAIL  
info@etlsystems.com

FACSIMILE  
+44 (0)1981 259021  
  
WEB  
www.etlsystems.com

